

# AURORALIGHT

PROJECT: \_\_\_\_\_

SKU #: \_\_\_\_\_

TYPE: \_\_\_\_\_

## LEVELING PEDESTAL

MLP362400

The Leveling Pedestal; perfect for landscape and hardscape installation. Ensures perfectly level installation of our large bollards.

- Compatible with our large bollards
- Ideal for hardscape and new construction



### CONFIGURATOR:

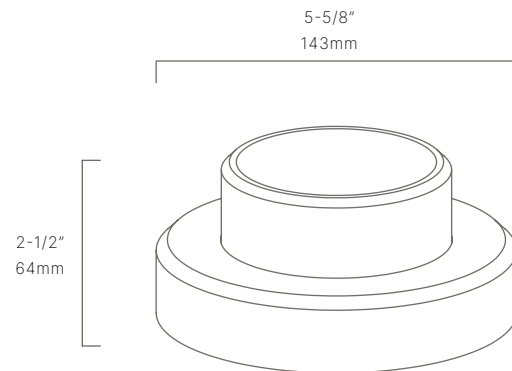
MLP362400	FINISH
<b>( ) = Most common configuration</b>	<input type="checkbox"/>
	<b>(NAT) Natural Brass</b>
	<b>(BLP) Bronze Living Patina</b>
	<b>(BLPX) Extra Dark BLP</b>
	<b>(NI) Nickel PVD</b>

### AVAILABLE FINISHES:



DIMENSIONS	W5-5/8" x H2-1/2"
VOLTAGE	12V
FINISH	Included Natural
MATERIAL	Brass & Copper

\*For complete warranty terms, please visit: [www.auroralight.com/warranty/](http://www.auroralight.com/warranty/)



P. 760.931.2910

O. 2742 Loker Ave. W Carlsbad CA 92010

W. [www.auroralight.com](http://www.auroralight.com)

MADE IN USA  
WITH DOMESTIC & IMPORTED MATERIALS

